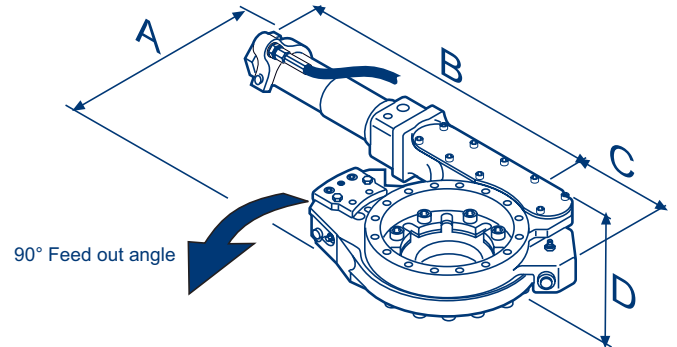


HULTDINS SuperCut™

SuperCut Standard



Features:

- Automatic chain tensioning.
- Built in bar feed cylinder.
- Fast saw bar and chain replacement.
- Proportional chain lubrication.
- Simple installation.
- Integral saw motor mount.

Technical Data

SuperCut		F11-10	F11-19
Saw motor displacement	cm3	10	19
Weight incl. saw motor	kg	33	37
Bredd A	mm	214	214
Length B	mm	473	473
Length C	mm	135	135
Height D	mm	120	120
Hydraulic pressures and flows, saw motor			
Min. hydraulic pressure	MPa	16	16
Max. hydraulic pressure	MPa	31	31
Min. hydraulic flow	l/min	80	120
Max. hydraulic flow	l/min	135	220
Chain tension	Automatic		
Chain lubrication	Proportional		
Saw bar	Max. 113 cm		
Saw chain	0.404		
Max. saw chain speed	see recommendation from each saw chain manufacturer		
Max. power input to saw chain	see recommendation from each saw chain manufacturer		

0104-700643-EN



Hultdin System AB
 Skolgatan 12
 SE-930 70 MALÅ, Sweden
 Tel +46 953 41800, Fax +46 953 41801
 E-mail: sales@hultdins.se
 www.hultdins.se